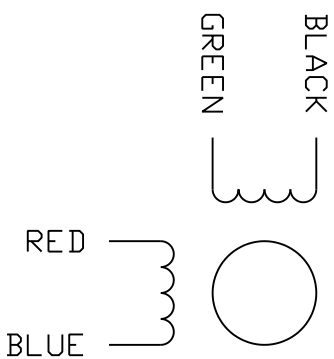
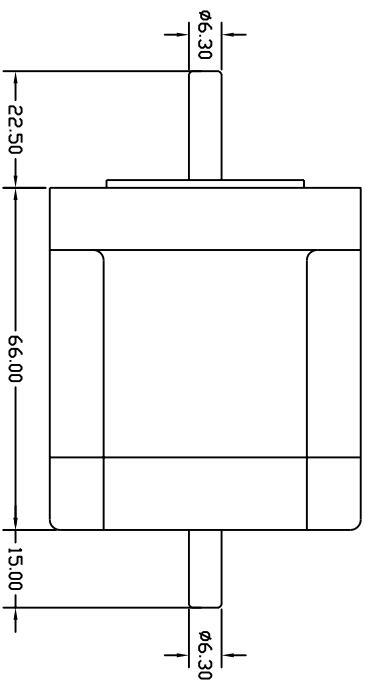
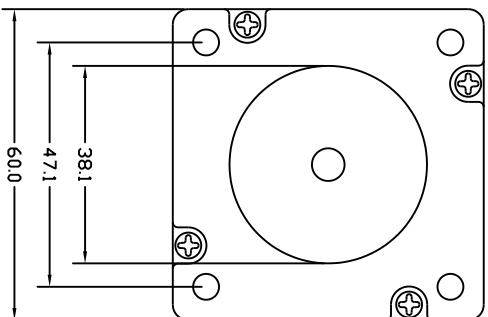


COMMON RATINGS

Step Angle	1.8 Degrees
Positional Accuracy	+/- 3%
Number of Phases	Two or Four
Temperature Rise	80C Maximum
Dielectric Strength	500V DC
Insulation Resistance	100M Ohm (<500V DC)
Radial Play	0.025mm Max (<450g Load)
Insulation Class	Class: B



Part Number	Holding Torque Nm(+/- 10%)	Rated Current per phase A	Ph. resistance Ohms (+/-10%)	Inductance mH(+/-20%)	Mass kg
23HSX-101X	2.0	2.8(Bipolar)	1.34	3.1	1.0

16 MAY2005

www.CNCDirect.CO.ZA

23HSX-101(D)