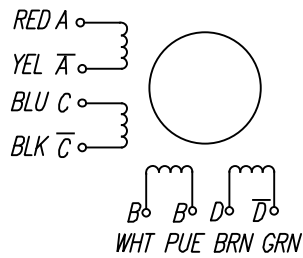
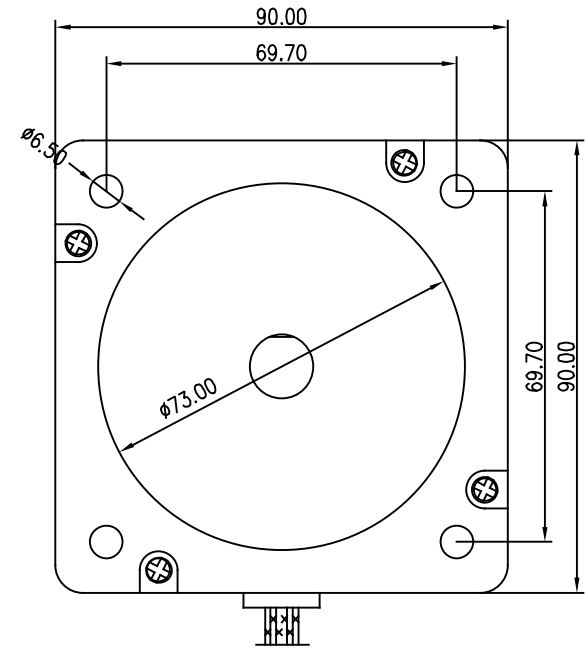
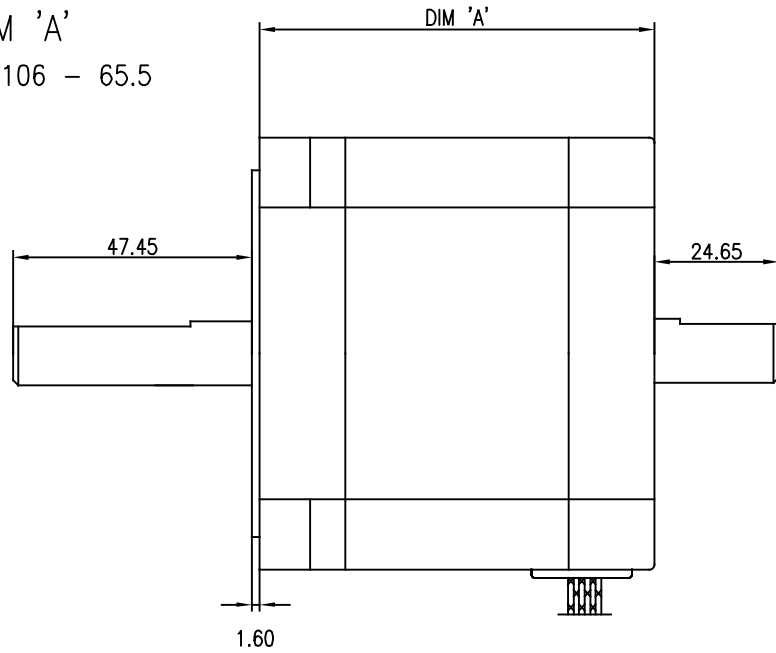
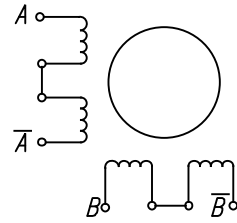


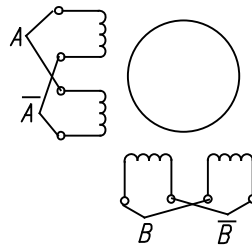
DIM 'A'  
34HSX-106 - 65.5



COLORS OF LEAD WIRES



SERIES



PARALLEL

	16 MAY2007
	www.CNCDirect.co.za
	34HSX-104 (D)
	STEPPER MOTOR